

FEATURES

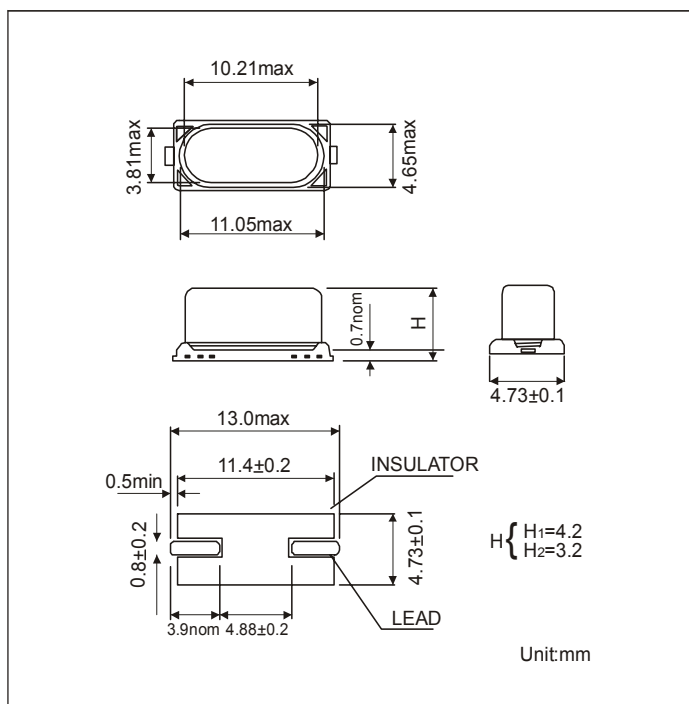
- HIGH RELIABILITY FOR LOW COST
- LOW PROFILE - 3.2 MM MAX. PACKAGE HEIGHT
- EXTENDED TEMPERATURE RANGE TO -40/+125°C
- TUNABLE WITH EXTERNAL CAPACITY
- CHEAPEST AVAILABLE SMD-CRYSTAL
- EXCELLENT CLOCK SIGNAL GENERATOR FOR CPU'S
- QUALIFIED FOR QUOTMOTIVE APPLICATIONS

| PROCESSOR TYPE | | NEC V25 |
|---|----------|------------------------------------|
| SERIES | | HC-49/US-SMD |
| PACKAGE HEIGHT | STANDARD | 4.2 MM MAX. |
| | OPTION | 4.0 MM MAX AND 3.2 MM MAX. |
| FREQUENCY | | 15.360 MHz |
| MODE OF VIBRATION | | AT-FUNDAMENTAL |
| RESONANCE RESISTANCE | | 40 Ω MAX. |
| FREQUENCY TOLERANCE AT 25°C | | +30 PPM |
| WORKING TEMPERATURE RANGE | | -20/+70°C |
| OPERABLE TEMPERATURE RANGE | | -30/+80°C |
| TEMPERATURE STABILITY | | +50 PPM |
| LOAD CAPACITANCE | | 30 pF |
| SHUNT CAPACITANCE | | 7 PF MAX. |
| DRIVE LEVEL | | 0.5 mW |
| AGING | | +5 PPM MAX. PER YEAR |
| INSULATION RESISTANCE | | >500 MΩ DC/100V +-10% |
| PACKAGE | | TAPE AND REEL (1.000 PCS PER REEL) |
| <u>OTHER PARAMETERS ARE AVAILABLE ON REQUEST / CREATE HERE YOUR SPECIFICATION</u> | | |

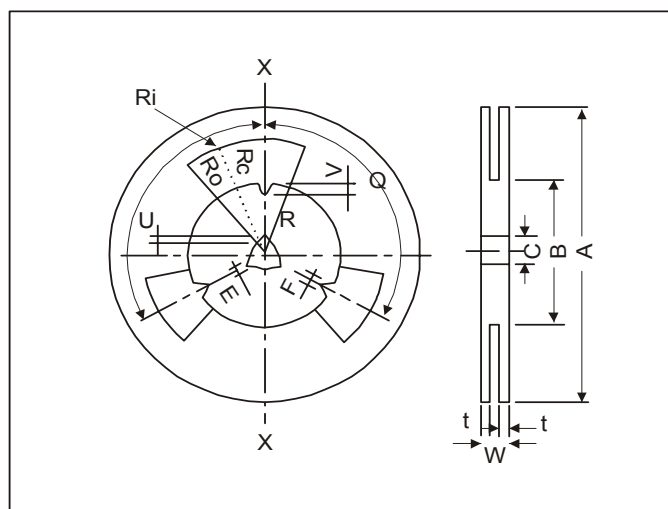
PART NUMBERING SYSTEM

| EXAMPLE | HC-49/US-SMD 15.360 MHz NEC V25 |
|----------------|---------------------------------|
| TYPE | HC-49/US-SMD |
| PACKAGE HEIGHT | BLANK FOR 4.2 MM |
| | 4.0 OR 3.2 MM |
| PROCESSOR TYPE | NEC V25 |

OUTLINE DRAWING OF HC-49/US-SMD

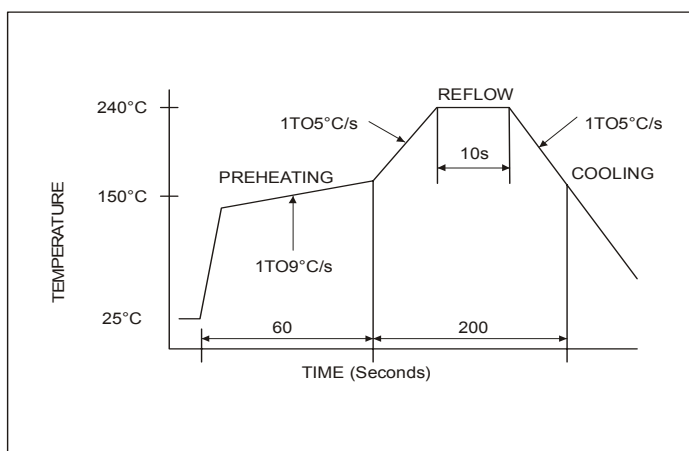


REEL SPECIFICATION

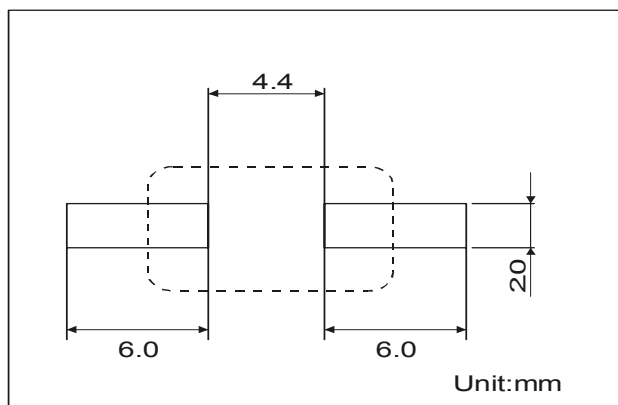


| Description | | Symbol | Dimensions | |
|-------------|-----------------------|----------|---------------------------|-------------------------|
| Flange | Diameter | A | $\varnothing 330 \pm 2.0$ | |
| | Thickness | t | 2.4 ± 0.2 | |
| | Width Between Flanges | W | $24.4^{+2.0}_{-0}$ | |
| Center Core | Outline Diameter | B | $\varnothing 100 \pm 2.0$ | |
| | Center Core Slit | Width | F | 2.3 ± 1.0 |
| | | Deep | V | 6 ± 1.0 |
| | | Position | Q | $120^\circ \pm 3^\circ$ |
| | Spindle Diameter | C | $\varnothing 13 \pm 0.5$ | |
| | Key Seats | Width | E | $2.5^{+0.5}_{-0}$ |
| Deep | | U | 5 ± 0.5 | |
| Position | | Q | $120^\circ \pm 3^\circ$ | |
| Fenestra | Outline Radius | R0 | $R90 \pm 1.0$ | |
| | Inline Radius | Ri | $R40 \pm 1.0$ | |
| | Rounded Corners | Rc | R5 | |
| | Open Angle | R | $40^\circ \pm 2^\circ$ | |

REFLOW SOLDER PROFILE



RECOMMENDED PAD LAYOUT



TAPING SPECIFICATION

