

FEATURES

- HIGH RELIABILITY FOR LOW COST
- TIGHT TEMPERATURE STABILITY POSSIBLE
- EXTENDED TEMPERATURE RANGE TO -40/+105°C
- EXCELLENT CLOCK SIGNAL GENERATOR FOR CPU'S
- CHEAPEST AVAILABLE CRYSTAL WITH TIGHT TOLERANCES UP TO 200.0 MHz



PETERMANN

TECHNIK

Time & Frequency Components

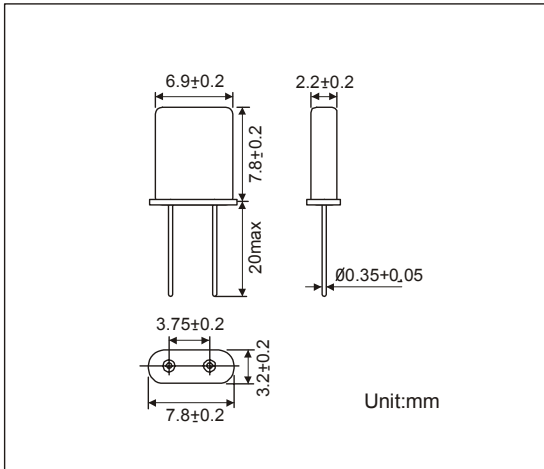
SERIES		UM1		UM5	
NUMBER OF LEADS	STANDARD	2 LEADS		2 LEAD	
	OPTION	3 LEADS		3 LEAD	
		SMD GULL WING WITH METAL JACKET			
FREQUENCY RANGE FOR UM-1 AND UM-5		6.0 ~ 45.0 MHz	30.0 ~ 100.0 MHz	80.0 ~ 155.0 MHz	120.0 ~ 200.0 MHz
MODE OF VIBRATION		AT-FUNDAMENTAL	3rd OVERTONE	5th OVERTONE	7th OVERTONE
RESONANCE RESISTANCE		60 Ω MAX.	60 Ω MAX.	80 Ω MAX.	120 Ω MAX.
FREQUENCY TOLERANCE AT 25°C		+5 PPM ~ +15 PPM			
TEMPERATURE RANGE		0/+50°C ~ -40/+85°C			
TEMPERATURE STABILITY	+3 PPM	0+50°C / -10/+60°C			
	+5 PPM	0+50°C / -10/+60°C / 0/+70°C / -20/+70°C			
	+10 PPM	0+50°C / -10/+60°C / 0/+70°C / -20/+70°C / -40/+85°C			
	+20 PPM	0+50°C / -10/+60°C / 0/+70°C / -20/+70°C / -40/+85°C			
	+30 PPM	0+50°C / -10/+60°C / 0/+70°C / -20/+70°C / -40/+85°C			
	+50 PPM	0+50°C / -10/+60°C / 0/+70°C / -20/+70°C / -40/+85°C			
LOAD CAPACITANCE		6 ~ 100 PF OR SERIES			
SHUNT CAPACITANCE		7 PF MAX.			
DRIVE LEVEL		100 μW typical (0.01 mW ~ 2 mW possible)			
AGING		+3 ~ +5 PPM PER YEAR (+1 PPM POSSIBLE)			
INSULATION RESISTANCE		>500 MΩ DC/100V +-10%			
DELIVERY FORM	STANDARD	BULKS			
	OPTION	TAPE AND REEL (1.000 PCS PER REEL)			
INSULATOR (NOT FOR SMD-VERSION)	STANDARD	WITHOUT INSULATOR			
	OPTION	WITH INSULATOR			

OTHER PARAMETERS ARE AVAILABLE ON REQUEST / CREATE HERE YOUR SPECIFICATION

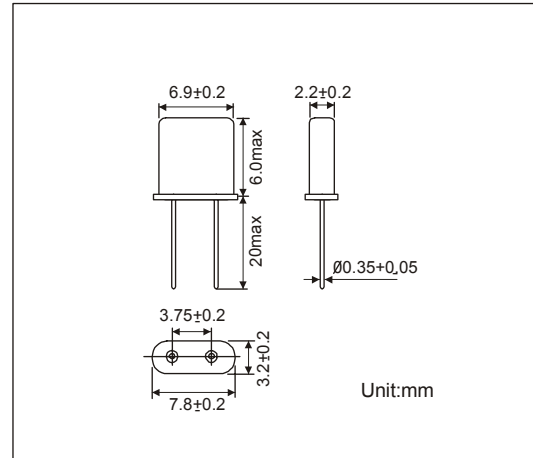
PART NUMBERING SYSTEM

EXAMPLE	UM1-SMD 27.000 MHz 5/5/-10+60/20pF/T
TYPE	UM1 OR UM5
NUMBERS OF LEADS	BLANK FOR 2 LEAD
	-3 FOR 3 LEADS
	-SMD FOR SMD-VERSION OF UM1
FREQUENCY	IN MHZ
OSCILLATION MODE	NUMBER OF MODE IF SOMETHING ELSE THAN SPECIFIED IS REQUIRED
FREQUENCY TOLERANCE AT 25°C	REQUIRED VALUE
TEMPERATURE STABILITY	REQUIRED VALUE
TEMPERATURE RANGE	REQUIRED VALUE
LOAD CAPACITANCE	REQUIRED VALUE
DELIVERY FORM	BLANK FOR BULKS
	T FOR TAPE AND REEL
INSULATOR (NOT FOR SMD-VERSION)	BLANK = WITHOUT INSULATOR
	I = WITH INSULATOR

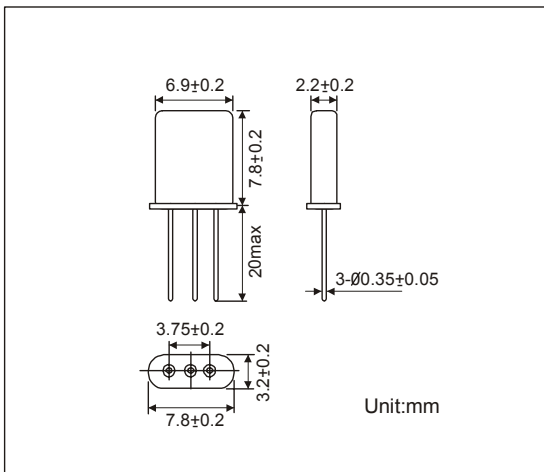
OUTLINE DRAWING OF UM1



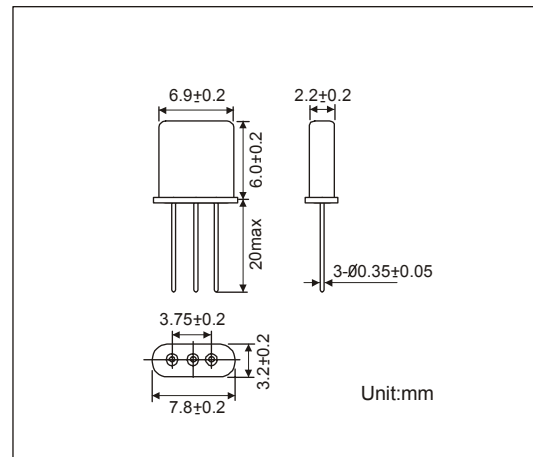
OUTLINE DRAWING OF UM5



OUTLINE DRAWING OF UM1-3



OUTLINE DRAWING OF UM5-3



OUTLINE DRAWING OF UM1-SMD

