

# FEATURES

- HIGH RELIABILITY FOR LOW COST
- LOW FREQUENCY RANGE
- SMD PACKAGES AVAILABLE

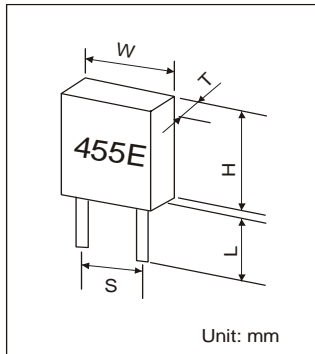


## ZTB - LEADED SERIES OF CERAMIC RESONATOR (190 ~ 1.250 kHz)

### TECHNICAL CHARACTERISTICS

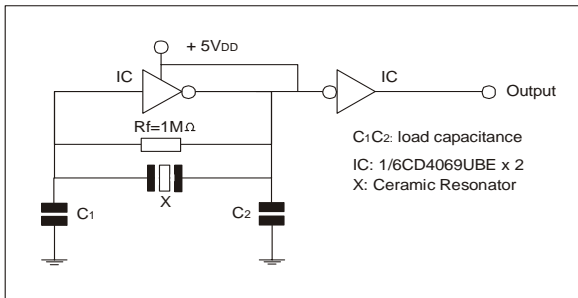
PART NUMBER	FREQUENCY ACCURACY	RESONANT IMPEDANCE	STABILITY OVER TEMPERATURE	AGING FOR 10 YEARS	LOAD CAPACITANCE	
					C1	C2
ZTB190~249D	+/-1 kHz	20 Ω	+/-0.3% OVER -20/+80°C	+/-0.3%	330	470
ZTB250~374D	+/-1 kHz	20 Ω	+/-0.3% OVER -20/+80°C	+/-0.3%	220	470
ZTB375~429P	+/-2 kHz	20 Ω	+/-0.3% OVER -20/+80°C	+/-0.3%	120	470
ZTB430~509E	+/-2 kHz	20 Ω	+/-0.3% OVER -20/+80°C	+/-0.3%	100	100
ZTB510~699P	+/-2 kHz	30 Ω	+/-0.3% OVER -20/+80°C	+/-0.3%	100	100
ZTB700~1250J	+/-0.5%	100 Ω	+/-0.3% OVER -20/+80°C	+/-0.3%	100	100

OTHER PARAMETERS ARE AVAILABLE ON REQUEST / CREATE HERE YOUR SPECIFICATION

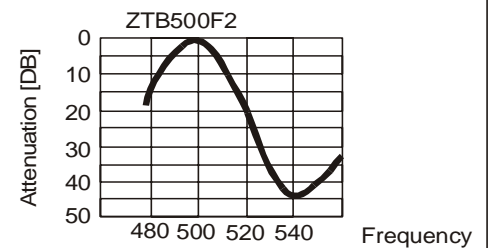
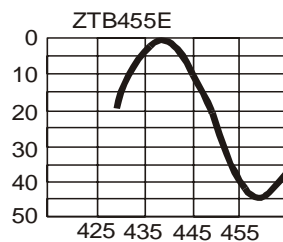


FREQUENCY RANGE	Dimensions: mm				
	Width W	Thickness T	Height H	Lead Space S	Lead Length L
190 ~ 249	13.5	3.8	14.7	10.0	8.0
250 ~ 374	11.0	3.8	12.2	7.7	7.0
375 ~ 429	7.9	3.6	9.3	5.0	4.0
430 ~ 699	7.0	3.5	9.0	5.0	4.0
700 ~ 1250	5.2	2.8	6.8	2.5	3.5

### TEST CIRCUIT



### CHARACTERISTICS



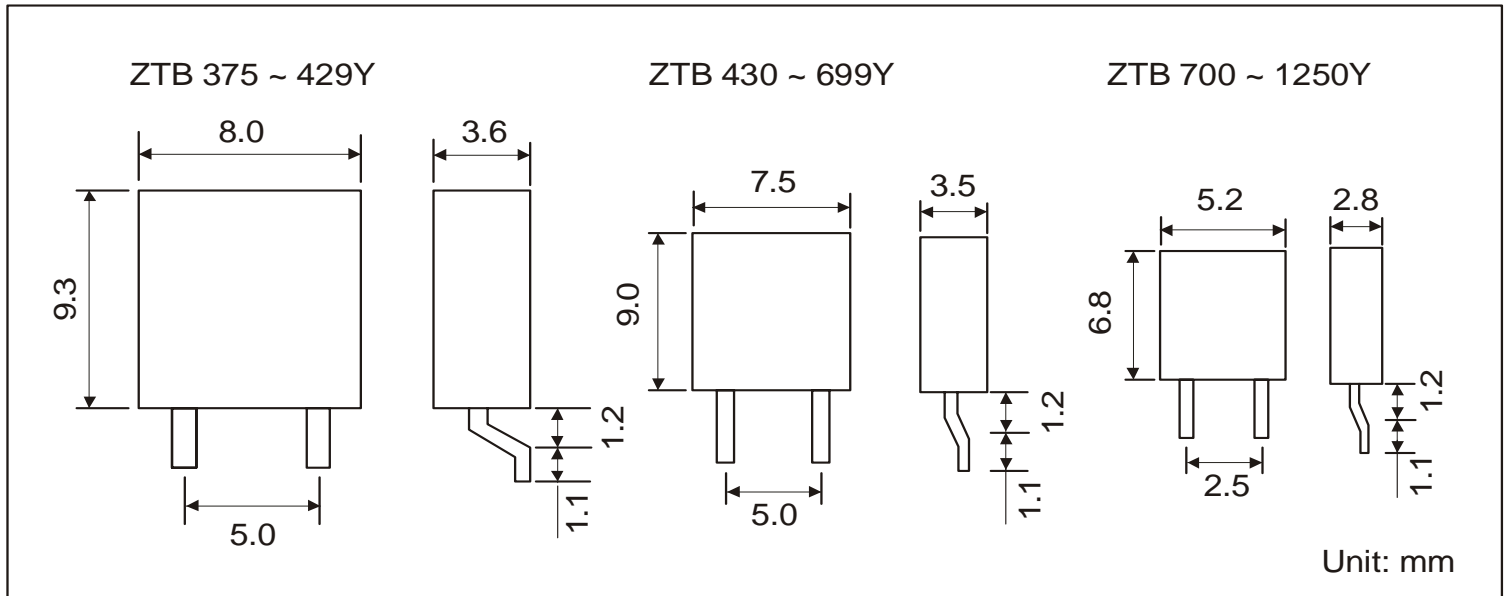
# ZTB - LEADED SERIES OF CERAMIC RESONATOR (375 ~ 1.250 kHz)

## TECHNICAL CHARACTERISTICS

PART NUMBER	FREQUENCY ACCURACY	RESONANT IMPEDANCE	STABILITY OVER TEMPERATURE	AGING FOR 10 YEARS	LOAD CAPACITANCE	
					C1	C2
ZTB375~429Y	+0.5%	$\leq 20 \Omega$	+0.3% OVER -20/+80°C	+0.3%	120	470
ZTB430~509Y	+0.5%	$\leq 20 \Omega$	+0.3% OVER -20/+80°C	+0.3%	100	100
ZTB510~699Y	+0.5%	$< 30 \Omega$	+0.3% OVER -20/+80°C	+0.3%	100	100
ZTB700~900Y	+0.5%	$\leq 50 \Omega$	+0.3% OVER -20/+80°C	+0.3%	100	100
ZTB901~1000Y	+0.5%	$\leq 70 \Omega$	+0.3% OVER -20/+80°C	+0.3%	100	100
ZTB1001~1250Y	+0.5%	$< 100 \Omega$	+0.3% OVER -20/+80°C	+0.3%	100	100

OTHER PARAMETERS ARE AVAILABLE ON REQUEST / CREATE HERE YOUR SPECIFICATION

## DIMENSIONS OF SMD PACKAGES



## TEST CIRCUIT

