

FEATURES

- HIGH RELIABILITY FOR LOW COST

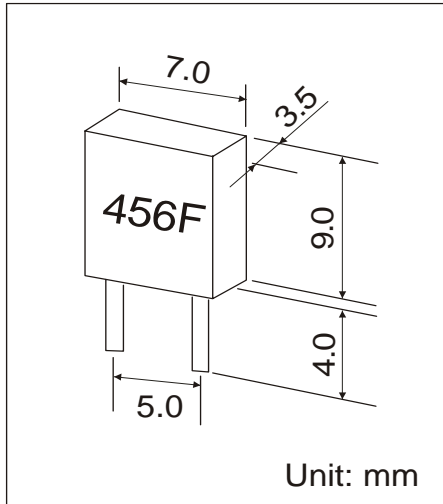
PETERMANN

TECHNIK

Time & Frequency Components

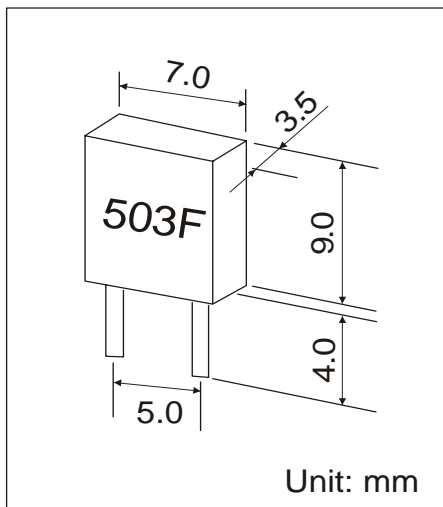
ZTB456F SERIES FOR FM MULTIPLEXERS

456 kHz



PART NUMBER	FREQUENCY ACCURACY	APPLIED IC
ZTB45611	19.0 kHz +-38 kHz	LA3430 (SANYO)
ZTB45614	19.0 kHz +-38 kHz	TA7413A (TOSHIBA)
ZTB45615	19.0 kHz +-38 kHz	LA3430 (SANYO)
ZTB45616	19.0 kHz +-38 kHz	TA8122N (TOSHIBA)
ZTB45618	19.0 kHz +-38 kHz	TA8132N (TOSHIBA)
ZTB45633	456 kHz +-2 kHz	LA2232 (SANYO)

ZTB503/500F SERIES FOR TV HORIZONTAL SYNTHESIZER CIRCUITS



PART NUMBER	FREQUENCY ACCURACY	APPLIED IC
ZTB503F2	503.5 kHz +-2 kHz	UPC1401 (NEC)
ZTB503F5	504.5 kHz +- 2 kHz	LA7620 (SANYO)
ZTB503F6	519 kHz +-2 kHz	M51307 (MITSUBISHI)
ZTB503F10	15.734 kHz +-0.5%	TA7777P (TOSHIBA)
ZTB503F12	503.5 kHz +-2 kHz	TDA3586 (THOMSON)
ZTB503F15	505.1 kHz +-2 kHz	LA7650 (SANYO)
ZTB503F30	503.5 kHz +-1.5 kHz	TA8654AN (TOSHIBA)
ZTB503F38	15.734 kHz +-62 kHz	AN5302 (MATSUSHITA)
ZTB500F2	500.0 kHz +-2 kHz	UPC1401 (NEC)
ZTB500F9	500.0 kHz +-2 kHz	M51308SP (MITSUBISHI)
ZTB500F13	500.0 kHz +-2 kHz	M51367SP (MITSUBISHI)
ZTB500F28	15.680 kHz +-0.4%	LA76800 (SANYO)
ZTB500F40	15.680 kHz +-0.4%	TA8691N (TOSHIBA)
ZTB500F55	15.680 kHz +-0.4%	LA7685 (SANYO)