

## FEATURES

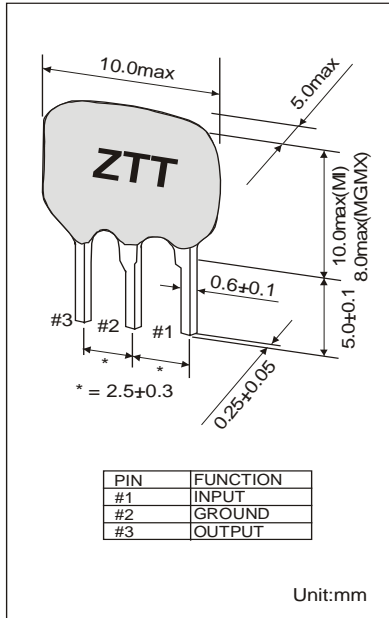
- HIGH RELIABILITY FOR LOW COST
- OSCILLATION CIRCUITS DO NOT REQUIRE EXTERNAL LOAD CAPACITORS
- SMD PACKAGES WITH SMALL DIMENSIONS AND LOW PROFILE
- WIDE FREQUENCY RANGE
- EXCELLENT CLOCK SIGNAL GENERATOR
- NO ADJUSTMENT IS NECESSARY FOR OSCILLATION CIRCUITS

PETERMANN

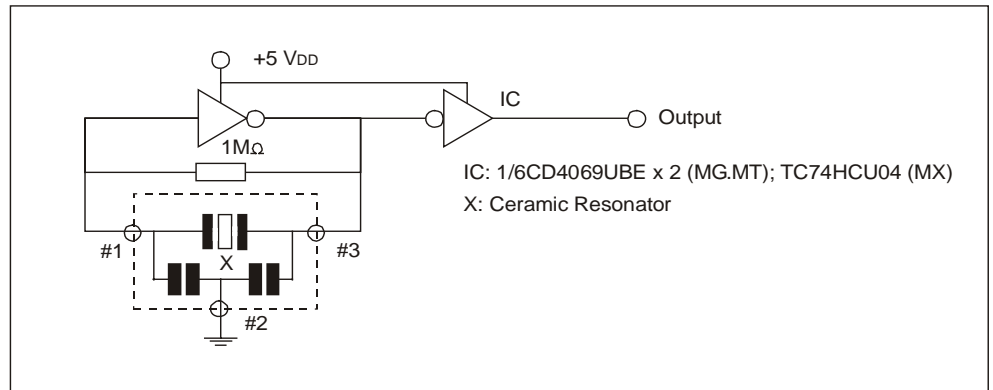
TECHNIK

Time & Frequency Components

## ZTT - LEADED SERIES OF CERAMIC RESONATOR



### TEST CIRCUIT FOR MOS IC



PART NUMBER	FREQUENCY ACCURACY	TEMPERATURE STABILITY	AGING FOR 10 YEARS
ZTT1.80~5.0MG	+/-0.45% @ 25°C	+/-0.3% OVER -20/+80°C	+/-0.3%
ZTT5.01~13.0MT	+/-0.45% @ 25°C	+/-0.3% OVER -20/+80°C	+/-0.3%
ZTT13.01~50.0MX	+/-0.45% @ 25°C	+/-0.3% OVER -20/+80°C	+/-0.3%

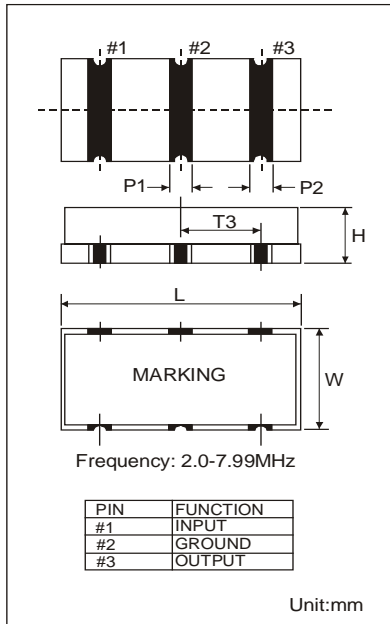
## ZTT - SMD SERIES OF CERAMIC RESONATOR

### TECHNICAL CHARACTERISTICS

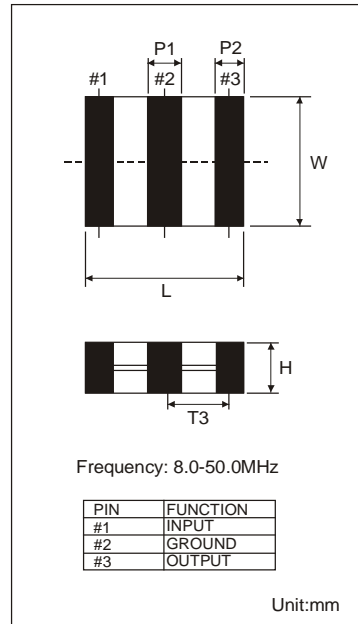
PART NUMBER	FREQUENCY RANGE	FREQUENCY ACCURACY	STABILITY OVER TEMPERATURE	OPERATING TEMPERATURE	AGING FOR 10 YEARS
ZTTC□□□MG	2.0 ~ 2.99 MHz	+/-0.5% @ 25°C	+/-0.3% OVER -20/+80°C	-20/+80°C	+/-0.3%
	3.0 ~ 3.49 MHz	+/-0.5% @ 25°C	+/-0.3% OVER -20/+80°C	-20/+80°C	+/-0.3%
	3.5 ~ 7.99 MHz	+/-0.5% @ 25°C	+/-0.3% OVER -20/+80°C	-20/+80°C	+/-0.3%
ZTTCR□□□MG	4.0 ~ 8.0 MHz	+/-0.5% @ 25°C	+/-0.3% OVER -20/+80°C	-20/+80°C	+/-0.3%
ZTTCS/CV□□□MT	8.0 ~ 13.0 MHz	+/-0.5% @ 25°C	+/-0.4% OVER -20/+80°C	-20/+80°C	+/-0.3%
ZTTCS/CV□□□MX	13.01 ~ 50.0 MHz	+/-0.5% @ 25°C	+/-0.3% OVER -20/+80°C	-20/+80°C	+/-0.3%

OTHER PARAMETERS ARE AVAILABLE ON REQUEST / CREATE HERE YOUR SPECIFICATION

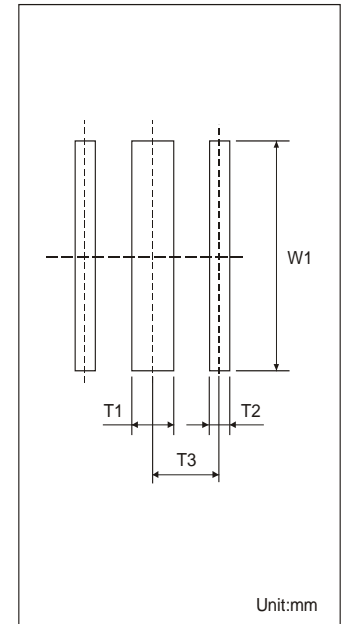
**DIMENSIONS OF ZTTCC**



**DIMENSIONS OF ZTTCS / ZTTCV**

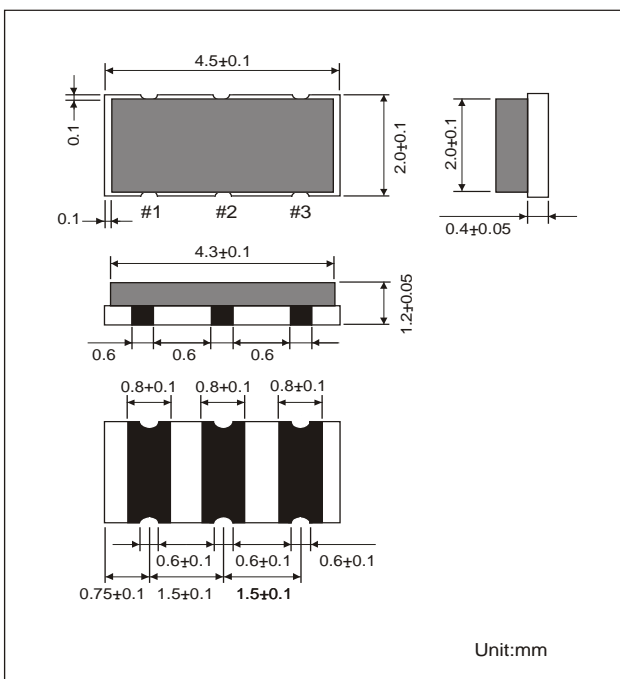


**RECOMMENDED LAND PATTERN**



Code	Dimensions: mm								
	L	W	H	P1	P2	T1	T2	T3	W1
ZTTCC (MG)	7.4±0.3	3.4±0.3	1.8±0.3	1.2±0.3	1.2±0.3	1.5±0.3	1.7±0.3	2.5±0.3	4.0±0.3
ZTTCS (MT/MX)	4.7±0.2	4.1±0.2	1.6±0.3	1.0±0.4	0.8±0.4	1.3±0.2	0.8±0.2	1.95±0.2	5.1±0.2
ZTTCV (MT/MX)	3.7±0.2	3.1±0.2	1.2±0.3	0.9±0.3	0.7±0.3	1.0±0.2	0.7±0.2	1.5±0.2	4.1±0.2

**DIMENSIONS OF ZTTCR**



**RECOMMENDED LAND PATTERN OF ZTTCR**

