

SMD SPXO 3.2x2.5mm 2.5 VDC MHz

FEATURES

- High reliability for low cost
- Frequency stability to ± 20 ppm available
- Available in 1.8, 2.5 and 3.3 VDC
- New standard for small high performance low cost crystal oscillators
- Extended temperature range -40°C to $+105^{\circ}\text{C}$

Pb-free
 RoHS-2 2011/65/EU
 compliant

GENERAL DATA

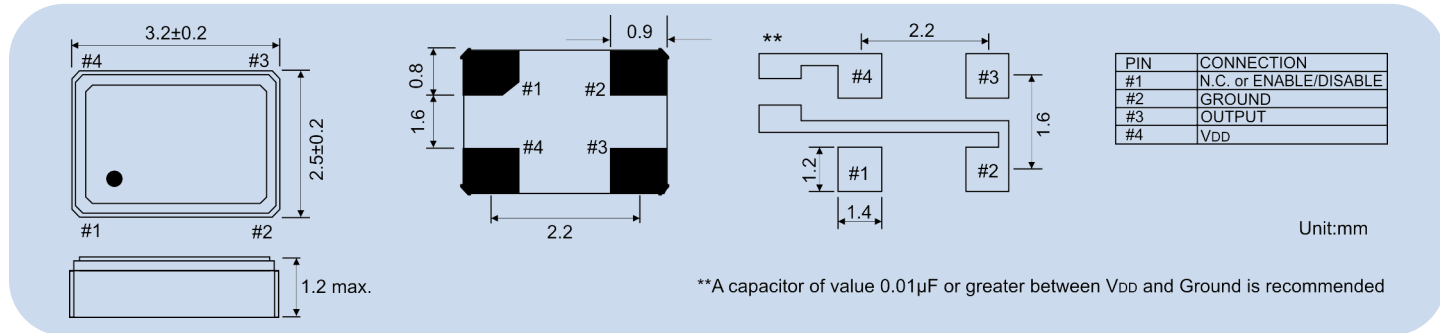
SMD-OSCILLATOR SERIES		SXO25-03025	
PACKAGE		Ceramic package 3.2 x 2.5 x 1.2 mm ³	
FREQUENCY		0.2 ~ 157.0 MHz	
FREQUENCY STABILITY		-10/+60°C ~ -20/+70°C	$\pm 20 \sim \pm 100$ ppm
		-40/+85°C	$\pm 25 \sim \pm 100$ ppm
		-40/+105°C	$\pm 50 \sim \pm 100$ ppm
The frequency stability contains the frequency tolerance at 25°C, the temperature stability, supply voltage change and load change. The aging is ± 3 ppm max. per year.			
OPERATING TEMPERATURE RANGE		-10/+60°C ~ -40/+105°C	
STORAGE TEMPERATURE RANGE		-55/+125°C	
INPUT	VOLTAGE	+2.5 VDC $\pm 10\%$	
	CURRENT	0.2 ~ 4.0 MHz = 10 mA max.	
		4.0 ~ 32.0 MHz = 20 mA max.	
		32.0 ~ 80.0 MHz = 30 mA max.	
80.0 ~ 157.0 MHz = 50 mA max.			
OUPUT	SYMMETRY	STANDARD	40/60%
		OPTION	45/55%
	RISE AND FALL TIME		5 ns typical / 10 ns max.
	"0" LEVEL	CMOS	10% VDD max.
"1" LEVEL	90% VDD min.		
LOAD		CMOS	15 pF max.
PIN1	STANDARD		WITHOUT ENABLE / DISABLE FUNCTION
	OPTION		WITH ENABLE / DISABLE FUNCTION
ENABLE / DISABLE FUNCTION		PIN #1 (E/D CONTROL)	
		OPEN	
		HIGH "1" (VIH >70%VDC)	
		LOW "0" (VIL <30%VDC)	
		OUTPUT DISABLE TIME	
		OUTPUT ENABLE TIME	
DELIVERY FORM		Tape & Reel / 1.000 pcs. per reel, lower QTY possible	
OTHER PARAMETERS ARE AVAILABLE ON REQUEST / CREATE HERE YOUR SPECIFICATION			

CRYSTALS
OSCILLATORS
CERAMIC RESONATORS

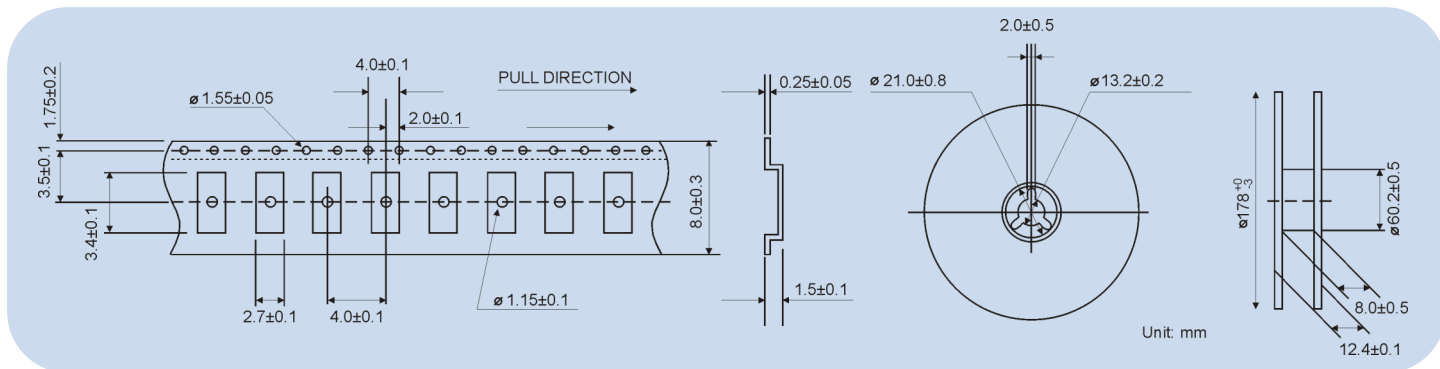


CERAMIC FILTERS
SAW COMPONENTS

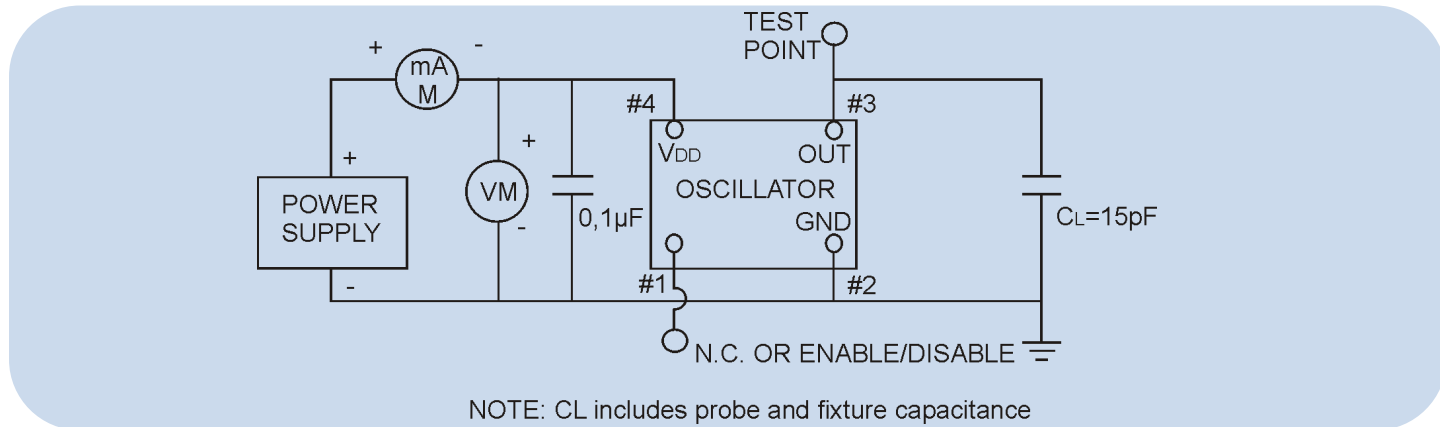
OUTLINE DRAWING



REEL SPECIFICATION



TEST CIRCUIT CMOS



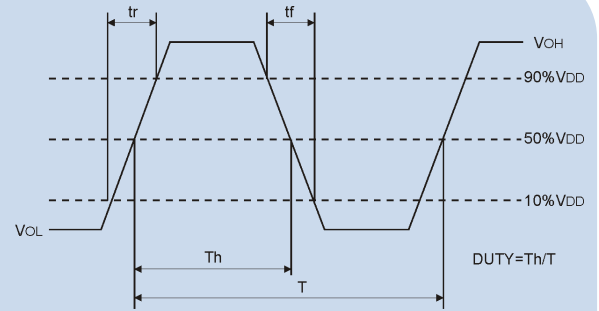
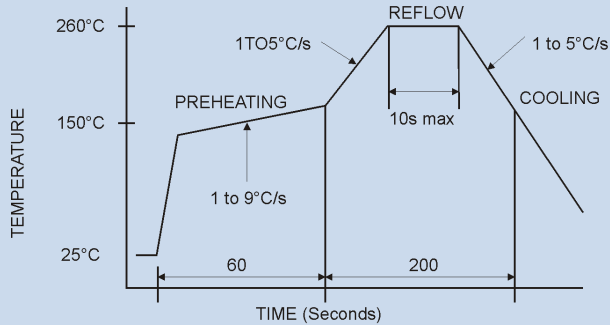
CRYSTALS
OSCILLATORS
CERAMIC RESONATORS



CERAMIC FILTERS
SAW COMPONENTS
 Spec.01 • REV.00 • August 2013

REFLOW SOLDER PROFILE

OUTPUT WAVE FORM CMOS



ORDERING INFORMATION

Series & Voltage	Symmetry	PIN1	Frequency Stability	Temperature Range Options	Frequency	Delivery Form
SXO25-03025	B*=40/60% or S=45/55%	B*= NO E/D or E = E/D	B*= 100ppm or O=20~50ppm	B*= 0+70°C N=-10+60°C M=-20+70°C W=-40+85°C Y=-40+105°C	27.000 MHz	T

Example: SXO25-03025-S-E-50-W-27.000MHz-T

PLEASE INDICATE YOUR REQUIRED PARAMETERS

*B=BLANK, S=SPECIAL, E=ENABLE/DISABLE, O=OPTION, T=TAPE AND REEL

CRYSTALS
OSCILLATORS
CERAMIC RESONATORS



Premium Quality by
PETERMANN-TECHNIK

CERAMIC FILTERS
SAW COMPONENTS

Spec.01 • REV.00 • August 2013