

SMD SPXO 3.2x2.5mm 3.3 VDC MHz

FEATURES

- High reliability for low cost
- Frequency stability to ± 20 ppm available
- Available in 1.8, 2.5 and 3.3 VDC
- New standard for small high performance low cost crystal oscillators
- Low Jitter for excellent performance

Pb-free
 RoHS-2 2011/65/EU
 compliant

GENERAL DATA

SMD-OSCILLATOR SERIES		SXO3-03025	
PACKAGE		Ceramic package 3.2 x 2.5 x 1.2 mm ³	
FREQUENCY		0.2 ~ 167.0 MHz	
FREQUENCY STABILITY		-10/+60°C ~ -20/+70°C	$\pm 20 \sim \pm 100$ ppm
		-40/+85°C	$\pm 25 \sim \pm 100$ ppm
		-40/+105°C	$\pm 50 \sim \pm 100$ ppm
The frequency stability contains the frequency tolerance at 25°C, the temperature stability, supply voltage change and load change. The aging is ± 3 ppm max. per year.			
OPERATING TEMPERATURE RANGE		-10/+60°C ~ -40/+105°C	
STORAGE TEMPERATURE RANGE		-55/+125°C	
INPUT	VOLTAGE	+3.3 VDC $\pm 10\%$	
	CURRENT	0.2 ~ 4.0 MHz = 10 mA max.	
		4.0 ~ 32.0 MHz = 20 mA max.	
		32.0 ~ 80.0 MHz = 30 mA max.	
80.0 ~ 167.0 MHz = 50 mA max.			
OUTPUT	SYMMETRY	STANDARD	40/60%
		OPTION	45/55%
	RISE AND FALL TIME	5 ns typical / 10 ns max.	
	"0" LEVEL	CMOS	10% VDD max.
"1" LEVEL	90% VDD min.		
	LOAD	CMOS	15 pF max.
PIN1		STANDARD	WITHOUT ENABLE / DISABLE FUNCTION
		OPTION	WITH ENABLE / DISABLE FUNCTION
ENABLE / DISABLE FUNCTION		PIN #1 (E/D CONTROL)	PIN #3 (OUTPUT)
		OPEN	ACTIVE
		HIGH "1" (VIH >70%VDC)	ACTIVE
		LOW "0" (VIL <30%VDC)	HIGH IMPEDANCE
		OUTPUT DISABLE TIME	150 ns max.
		OUTPUT ENABLE TIME	10 ms max.
DELIVERY FORM		Tape & Reel / 1.000 pcs. per reel, lower QTY possible	
OTHER PARAMETERS ARE AVAILABLE ON REQUEST / CREATE HERE YOUR SPECIFICATION			

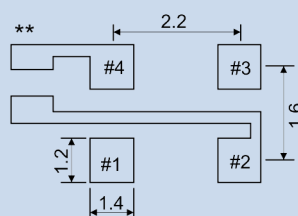
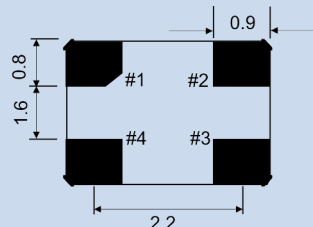
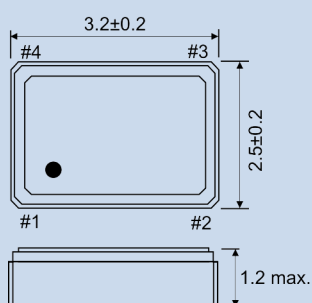
CRYSTALS
OSCILLATORS
CERAMIC RESONATORS



Premium Quality by
PETERMANN-TECHNIK

CERAMIC FILTERS
SAW COMPONENTS

OUTLINE DRAWING

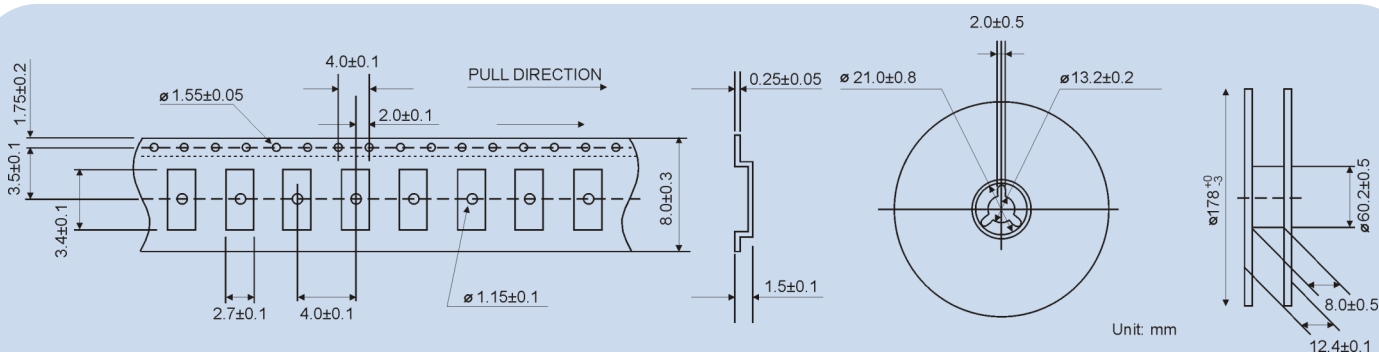


PIN	CONNECTION
#1	N.C. or ENABLE/DISABLE
#2	GROUND
#3	OUTPUT
#4	VDD

Unit:mm

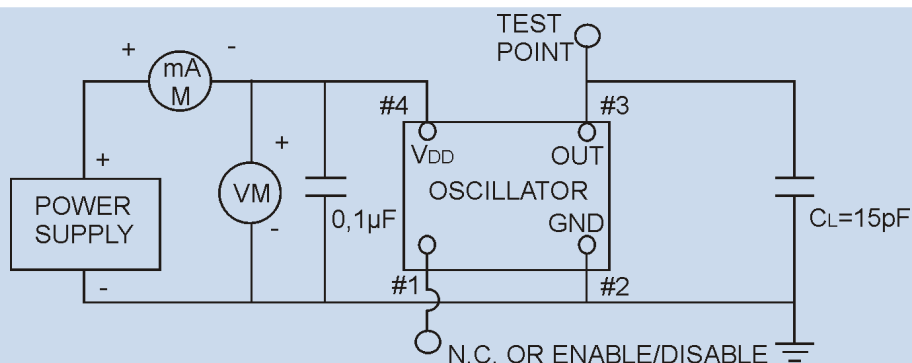
**A capacitor of value 0.01µF or greater between VDD and Ground is recommended

REEL SPECIFICATION



Unit: mm

TEST CIRCUIT CMOS



NOTE: CL includes probe and fixture capacitance

CRYSTALS
OSCILLATORS
CERAMIC RESONATORS



Premium Quality by
PETERMANN-TECHNIK

CERAMIC FILTERS
SAW COMPONENTS

Spec.01 • REV.00 • August 2013

