



THT ZTA SERIES CERAMIC RESONATORS

FEATURES

RoHS-2 2011/65/EU
compliant

- High reliability for low cost
- Small dimensions and low profile
- Wide frequency range
- Excellent clock signal generator
- Tape & Reel delivery form possible

GENERAL DATA

| Part Number | Frequency Range | Frequency Accuracy | Stability over Temperature | Operating Temperature | Aging For 10 Years |
|-------------|------------------|--------------------|----------------------------|-----------------------|--------------------|
| ZTAWs-MG | 1.79 ~ 6.00 MHz | ±0.5% at 25°C | ±0.3% over -25/+85°C | -25/+85°C | ±0.3% |
| ZTARS-MG | 6.01 ~ 12.50 MHz | ±0.5% at 25°C | ±0.3% over -25/+85°C | -25/+85°C | ±0.3% |
| ZTA-MT | 6.00 ~ 13.00 MHz | ±0.5% at 25°C | ±0.3% over -25/+85°C | -25/+85°C | ±0.3% |
| ZTA-MX | 12.00 ~ 60.0 MHz | ±0.5% at 25°C | ±0.3% over -25/+85°C | -25/+85°C | ±0.3% |
| ZTARS-MX | 16.00 ~ 60.0 MHz | ±0.5% at 25°C | ±0.3% over -25/+85°C | -25/+85°C | ±0.3% |

OTHER PARAMETERS ARE AVAILABLE ON REQUEST / CREATE HERE YOUR SPECIFICATION

DIMENSIONS

ZTA-MT/MX

*MT: 10.0 max;
 *MX: 12.00~23.99MHz, 10.0 max
 24.00~31.99MHz, 7.5 max
 32.00~60.00MHz, 6.5 max

ZTAWs-MG

*1 WS: 5.5 max;
 *2 WS: 4.0 max;

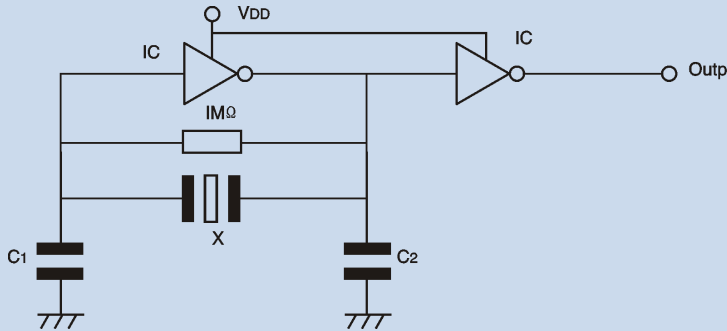
ZTARS-MG/MX

CRYSTALS
OSCILLATORS
CERAMIC RESONATORS

Premium Quality by
PETERMANN-TECHNIK

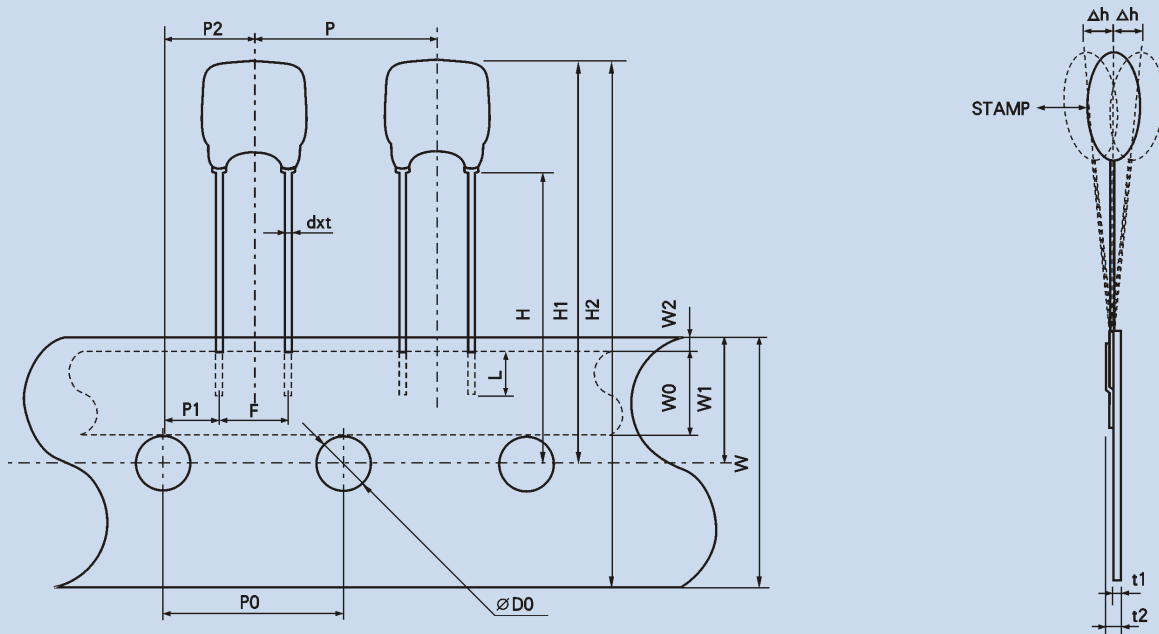
CERAMIC FILTERS
SAW COMPONENTS
 Spec.01 • REV.00 • August 2013

TEST CIRCUIT FOR MOS IC



IC(MG,MT): 1/6TC4069UBP × 2
 (MX): 1/6TC74HCU04 × 2
 C₁C₂(MG,MT): 30pF
 (MX): 30pF(12.00 ~ 20.00MHz)
 15pF(20.01 ~ 25.99MHz)
 5pF(26.00 ~ 60.00MHz)
 X: Ceramic Resonator
 V_{DD}: +5V

AMMO PACK TAPING DIMENSIONS (OPTION)



| Code | P | P0 | P1 | P2 | F | dxt | W | W0 | W1 | W2 | H | H1 | H2 | L | ØD0 | T1 | T2 | Δh |
|------|----------|----------|----------|----------|----------------------------------|--------------------------------|----------|---------|---------|--------|-----------------------------------|---------|---------|--------|---------|---------|--------|--------|
| Size | 12.7±0.5 | 12.7±0.2 | 3.85±0.5 | 6.35±1.3 | 5.0 ⁺ _{-0.3} | 0.5X0.25(±0.1) (Φ0.48±0.05) | 18.0±0.5 | 5.5±0.5 | 9.0±0.5 | 1.0max | 18.0 ⁺ _{-1.0} | 27.0max | 36.0max | 3.0min | 4.0±0.2 | 0.6±0.2 | 1.5max | 1.0max |

2000pcs per box

*Include the slant of products

CRYSTALS
OSCILLATORS
CERAMIC RESONATORS



Premium Quality by
PETERMANN-TECHNIK

CERAMIC FILTERS
SAW COMPONENTS

Spec.01 • REV.00 • August 2013

ORDERING INFORMATION

Series

ZTAWS

Frequency

6.000

Model Code

MG

Delivery
Form

B0

Example: ZTAWS-6.000MG-B0
PLEASE INDICATE YOUR REQUIRED SERIES

DELIVERY FORM

OPTIONS:

| | |
|----|--|
| B0 | = Bulks (standard) |
| A0 | = AMMO PACKING (2.000 pcs per ammo pack) |

CRYSTALS
OSCILLATORS
CERAMIC RESONATORS



Premium Quality by
PETERMANN-TECHNIK

CERAMIC FILTERS
SAW COMPONENTS

Spec.01 • REV.00 • August 2013