

SMD SPX0 2.5x2.0mm 1.8 - 3.3 VDC MHz

SERIES "SX0"

FEATURES

- + Low power version / Stand-by current 10 μ A max.
- + Frequency stability to ± 20 ppm available
- + Available in 1.8, 2.5, 2.8, 3.0 and 3.3 VDC
- + New standard for small high performance low cost crystal oscillators
- + Low jitter for excellent performance



PB FREE / ROHS COMPLIANT

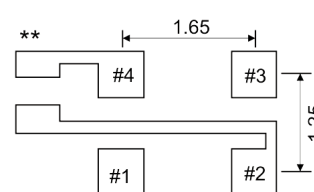
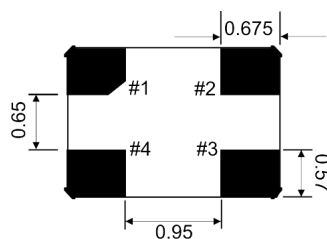
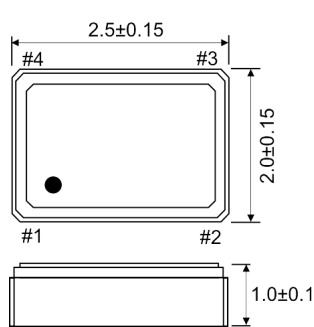
GENERAL DATA

| PARAMETERS | | PRODUCT FEATURES AND CONDITIONS | | | |
|-----------------------------|-----------------------|---|---|--|-----------------------|
| SMD-OSCILLATOR SERIES | | SX0-02502 | | | |
| PACKAGE | | Cermic package 2.5 x 2.0 x 1.0 mm ³ | | | |
| FREQUENCY RANGE | | 0.6 ~ 80.0 MHz | +1.8 VDC $\pm 10\%$ | | |
| | | 0.2 ~ 157.0 MHz | +2.5 VDC $\pm 10\%$ / +2.8 VDC $\pm 10\%$ | | |
| | | 0.2 ~ 167.0 MHz | +3.0 VDC $\pm 10\%$ / +3.3 VDC $\pm 10\%$ | | |
| FREQUENCY STABILITY | | 0/+70°C ~ -10/+60°C | ± 20 ~ ± 100 ppm | | |
| | | -20/+70°C | ± 25 ~ ± 100 ppm | | |
| | | -40/+85°C ~ -40/+105°C | ± 50 ~ ± 100 ppm | | |
| | | -40/+125°C | ± 100 ppm | | |
| | | The frequency stability contains the frequency tolerance at 25°C, the temperature stability, supply voltage change and load change. The aging is ± 3 ppm max. per year. | | | |
| OPERATING TEMPERATURE RANGE | | -10/+60°C ~ -40/+125°C | | | |
| STORAGE TEMPERATURE RANGE | | -55/+125°C | | | |
| INPUT | CURRENT | FREQUENCY | +1.8 VDC $\pm 10\%$ | | |
| | | 0.2~32.0 MHz | 1.0 mA max. (no load) | | |
| | | 32.0~54.0 MHz | 1.4 mA max. (no load) | | |
| | | 54.0~80.0 MHz | 3.0 mA max. (no load) | | |
| | | FREQUENCY | +2.5 VDC $\pm 10\%$ | | +2.8 VDC $\pm 10\%$ |
| | | 0.2~32.0 MHz | 1.5 mA max. (no load) | | 1.8 mA max. (no load) |
| | | 32.0~54.0 MHz | 2.0 mA max. (no load) | | 2.5 mA max. (no load) |
| | | 54.0~125.0 MHz | 4.0 mA max. (no load) | | 5.0 mA max. (no load) |
| | | 125.0~157.0 MHz | 6.0 mA max. (no load) | | 7.0 mA max. (no load) |
| | | FREQUENCY | +3.0 VDC $\pm 10\%$ | | +3.3 VDC $\pm 10\%$ |
| | | 0.2~32.0 MHz | 1.8 mA max. (no load) | | 1.8 mA max. (no load) |
| | | 32.0~54.0 MHz | 2.5 mA max. (no load) | | 2.5 mA max. (no load) |
| | | 54.0~80.0 MHz | 5.0 mA max. (no load) | | 5.0 mA max. (no load) |
| | | 80.0~125.0 MHz | 6.0 mA max. (no load) | | 6.0 mA max. (no load) |
| 125.0~167.0 MHz | 8.0 mA max. (no load) | | 8.0 mA max. (no load) | | |

GENERAL DATA (CONTINUED)

| PARAMETERS | | PRODUCT FEATURES AND CONDITIONS | |
|--|--------------------|--|--|
| OUTPUT | SYMMETRY | STANDARD | 40/60% at 50% VDD Level |
| | | OPTION | 45/55% at 50% VDD Level |
| | RISE AND FALL TIME | | 5 ns max. (L _{CMOS} 15 pF = 10~90% VDD Level) |
| | "0" LEVEL | CMOS | 10% VDD max. |
| | "1" LEVEL | | 90% VDD min. |
| LOAD | CMOS | 15 pF max. | |
| PIN1 | | STANDARD | WITH ENABLE / DISABLE FUNCTION |
| ENABLE / DISABLE FUNCTION | | PIN #1 (E/D CONTROL) | PIN #3 (OUPUT) |
| | | OPEN | ACTIVE |
| | | HIGH "1" (V _{IH} >80%VDC) | ACTIVE |
| | | LOW "0" (V _{IL} <20%VDC) | HIGH IMPEDANCE |
| | | OUTPUT DISABLE TIME | 150 ns max. |
| | | OUTPUT ENABLE TIME | 1 ms max. |
| | | STAND-BY CURRENT 10 µA max. | |
| DELIVERY FORM | | Tape and Reel / 2.000 pcs. per reel, other quantities are available on request | |
| SELECT YOUR REQUIRED OSCILLATOR (PRODUCT CONFIGURATOR) | | REQUEST OSCILLATOR SAMPLES (SAMPLE CONFIGURATOR) | |

OUTLINE DRAWING

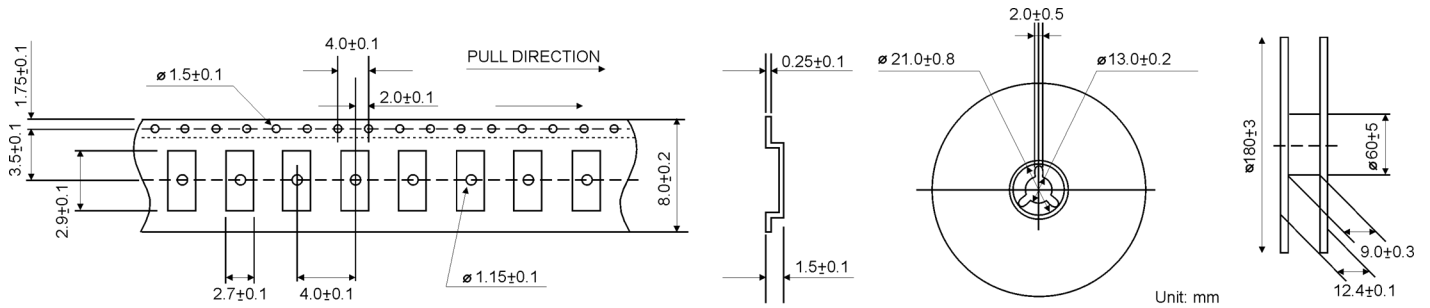


| PIN | CONNECTION |
|-----|-----------------|
| #1 | ENABLE/DISABLE |
| #2 | GROUND |
| #3 | OUTPUT |
| #4 | V _{DD} |

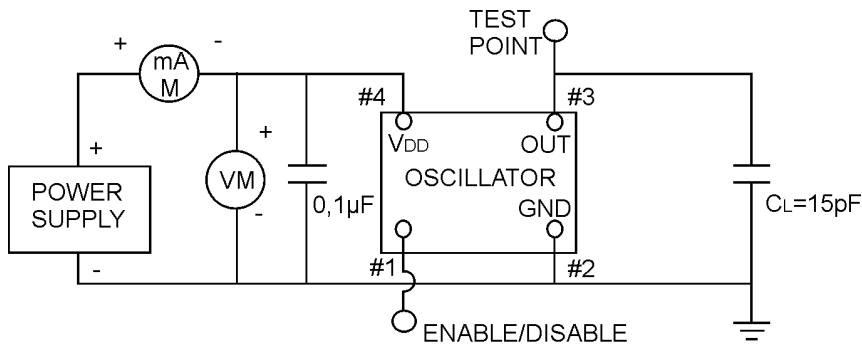
Unit:mm

**A capacitor of value 0.01µF or greater between V_{DD} and Ground is recommended

REEL SPECIFICATION



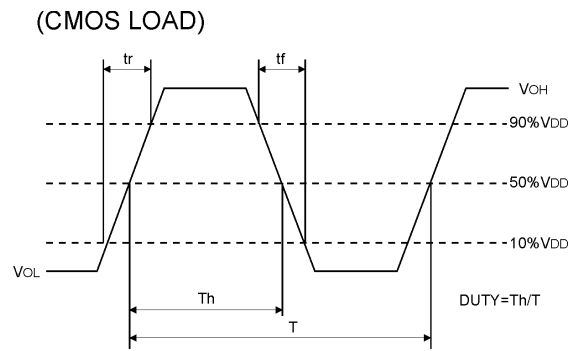
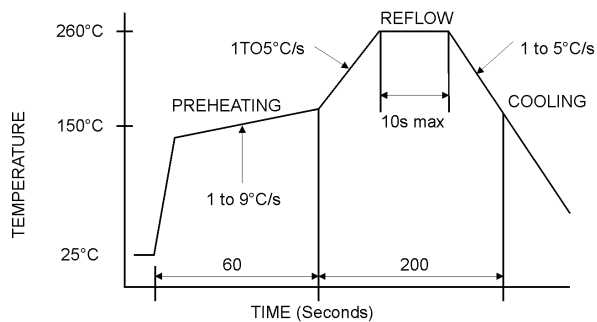
TEST CIRCUIT CMOS



NOTE: CL includes probe and fixture capacitance

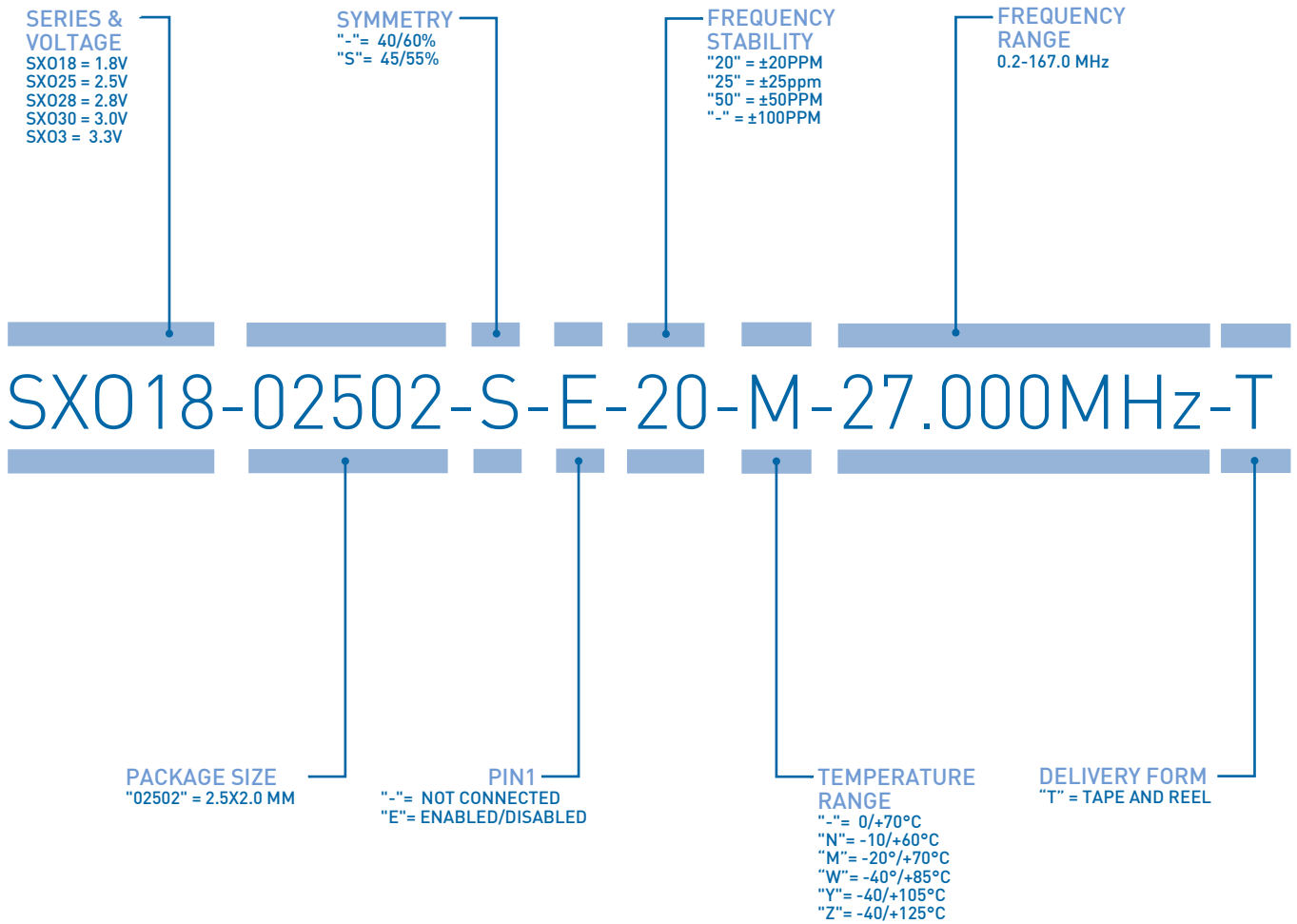
REFLOW SOLDER PROFILE

OUTPUT WAVE FORM CMOS





ORDERING INFORMATION



EXAMPLE: SX018-02502-S-E-20-M-27.000MHz-T
 PLEASE INDICATE YOUR REQUIRED PARAMETERS



PREMIUM QUALITY BY PETERMANN-TECHNIK



OUR COMPANY IS CERTIFIED ACCORDING TO ISO 9001:2015 IN OCTOBER 2016 BY THE DMSZ CERTIFIKATION GMBH.

THIS IS FOR YOU TO ENSURE THAT THE PRINCIPLES OF QUALITY MANAGEMENT ARE FULLY IMPLEMENTED IN OUR QUALITY MANAGEMENT SYSTEM AND QUALITY CONTROL METHODS ALSO DOMINATE OUR QUALITY STANDARDS.