

SMD WATCH CRYSTAL 32.768 kHz

SERIES M4115 STANDARD (2 pad housing 4.1x1.5mm)

FEATURES

- + Smallest available low cost watch crystal
- + Ultra low profile
- + Standard operating temperature range of -40/+85°C
- + Excellent clock generator for CPU's, Wireless, Mobile Comm., etc.



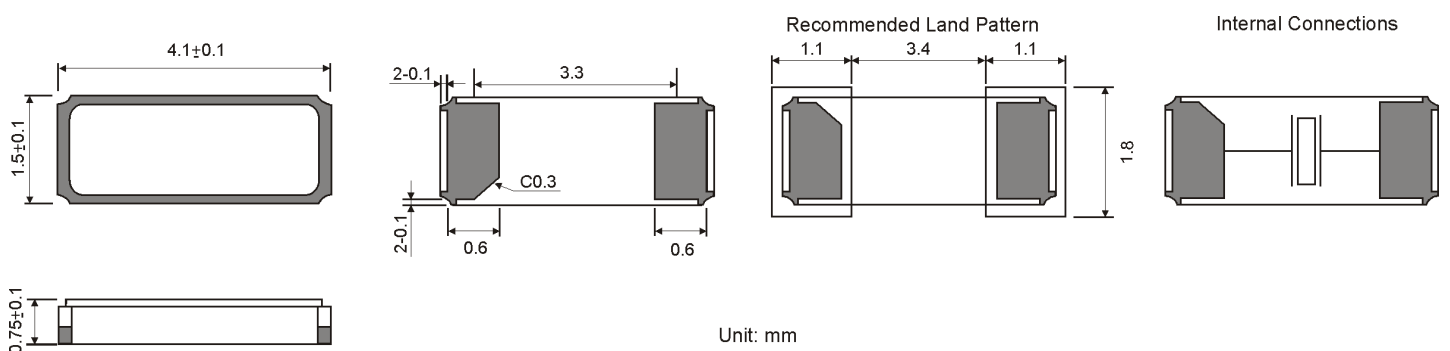
GENERAL DATA

PB FREE / ROHS-2 2011/65/EU COMPLIANT

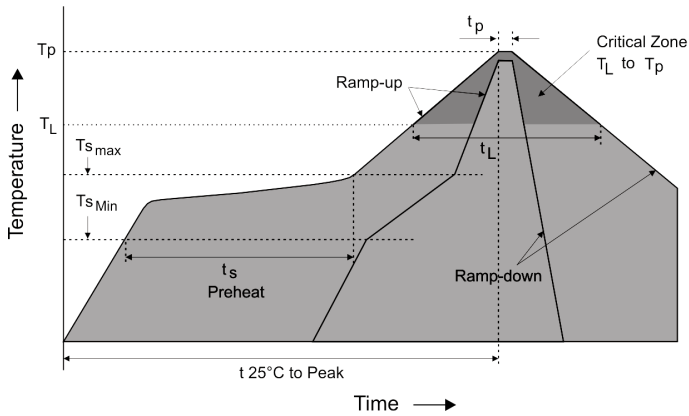
PARAMETERS	PRODUCT FEATURES AND CONDITIONS
SMD-CRYSTAL SERIES	M4115
NUMBER OF SOLDER PADS	2
FREQUENCY RANGE	32.768 kHz
FREQUENCY TOLERANCES AT 25°C	±20 ppm (standard) / ±10 ppm ~ ±100 ppm (option)
LOAD CAPACITANCE (C _L)	12.5 pF (standard) 6,7,9 and 10pF available on request
WORKING TEMPERATURE RANGE	-40/+85°C
RESONANCE RESISTANCE	80 kΩ max.
SHUNT CAPACITANCE (C _s)	1.3 pF typ.
TURNOVER TEMPERATURE	+25°C ±5°C
PARABOLIC COEFFICIENT	-0.04 ppm/°C ²
DRIVE LEVEL	0.2 μW typical (0.5 μW max.)
AGING	±3 ppm max. per year
INSULATION RESISTANCE	>500 MΩ DC/100V ±10%
STORAGE TEMPERATURE	-55°/+125°C
DELIVERY FORM	Tape and Reel (1.000 ~ 3.000 pcs per reel)

[OTHER PARAMETERS ARE AVAILABLE ON REQUEST / CREATE HERE YOUR SPECIFICATION](#)

DIMENSIONS

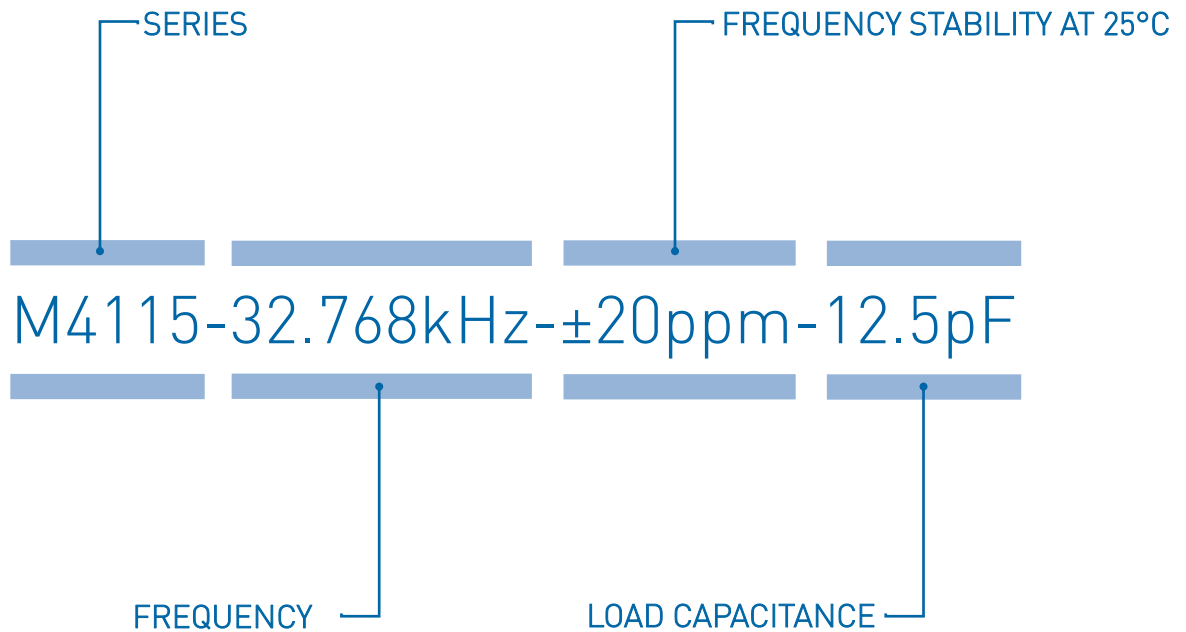


REFLOW SOLDER PROFILE



Profile Feature	Pb-Free Assembly
Average ramp-up rate (TL to TP)	3°C/second max.
Preheat:	
Temperature Min (T _{smin})	150°C
Temperature Max (T _{smax})	200°C
Time (min to max) (t _s)	60-180 seconds
Time maintained above:	
Temperature (T _L)	217°C
Time (T _L)	60-150 seconds
Peak/Classification Temperature (T _p)	260°C
Time within 5°C of actual Peak Temperature (t _p)	20-40 seconds
Ramp-down Rate	6°C/second max.
Time 25°C to Peak Temperature	8 minutes max.

ORDERING INFORMATION



EXAMPLE: M4115-32.768kHz-±20ppm-12.5pF
 PLEASE INDICATE YOUR REQUIRED PARAMETERS



PREMIUM QUALITY BY PETERMANN-TECHNIK



OUR COMPANY IS CERTIFIED ACCORDING TO ISO 9001:2008 IN OCTOBER 2013 BY THE DMSZ CERTIFIKATION GMBH.

THIS IS FOR YOU TO ENSURE THAT THE PRINCIPLES OF QUALITY MANAGEMENT ARE FULLY IMPLEMENTED IN OUR QUALITY MANAGEMENT SYSTEM AND QUALITY CONTROL METHODS ALSO DOMINATE OUR QUALITY STANDARDS.