

# SMD QUARTZ CRYSTAL

## SERIES HC-49/U-CLIP

### FEATURES

- + High reliability for low cost / Cheapest available SMD-Crystal
- + Extended temperature range to -40/+125°C available
- + Excellent clock signal generator for CPU´s
- + Designed for the use in wireless, communication, automotive, etc.



PB FREE / ROHS-2 2011/65/EU COMPLIANT

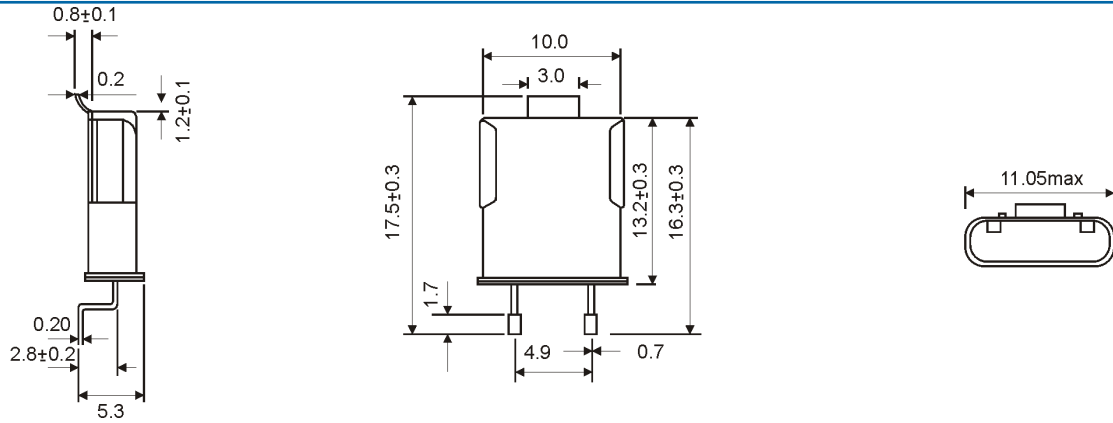
### GENERAL DATA

PARAMETERS	PRODUCT FEATURES AND CONDITIONS
SMD-CRYSTAL SERIES	HC-49/U
NUMBER OF LEADS	2 bent leads and metal jacket
FREQUENCY RANGE	1.8432 ~ 40.0 MHz AT-Fundamental 20.0 ~ 40.0 MHz BT-Fundamental 23.0 ~ 100.0 MHz 3rd Overtone 60.0 ~ 150.0 MHz 5th Overtone 120.0 ~ 200.0 MHz 7th Overtone
FREQUENCY TOLERANCES AT 25°C	±10 ppm ~ ±50 ppm
LOAD CAPACITANCE (C <sub>L</sub> )	6 pF ~ 50 pF or Series
WORKING TEMPERATURE RANGES	0/+50°C ~ -40/+125°C
SHUNT CAPACITANCE (C <sub>0</sub> )	7 pF max.
DRIVE LEVEL	100 µW typical (0.01 mW ~ 1 mW possible on request)
AGING	±3 ~ ±5 ppm per year standard (±2 ppm available as option)
INSULATION RESISTANCE	>500 MΩ DC/100V ±10%
STORAGE TEMPERATURE	-55°/+125°C
DELIVERY FORM	Tape and Reel (1.000 pcs per reel)
<a href="#">OTHER PARAMETERS ARE AVAILABLE ON REQUEST / CREATE HERE YOUR SPECIFICATION</a>	

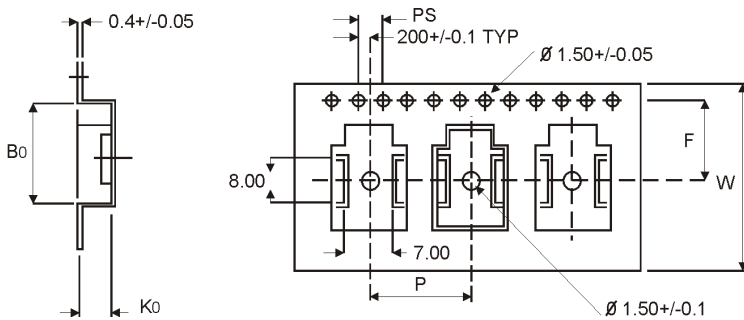
### FREQUENCY STABILITY VS. TEMPERATURE

	±5ppm	±10ppm	±15ppm	±20ppm	±30ppm	±50ppm	±100ppm
0°/+50°C	+	+	+	+	+	+	+
-10°/+60°C	+	+	+	+	+	+	+
0°/+70°C		+	+	+	+	+	+
-20°/+70°C		+	+	+	+	+	+
-40°/+85°C			+	+	+	+	+
-40°/+125°C						+	+

## DIMENSIONS



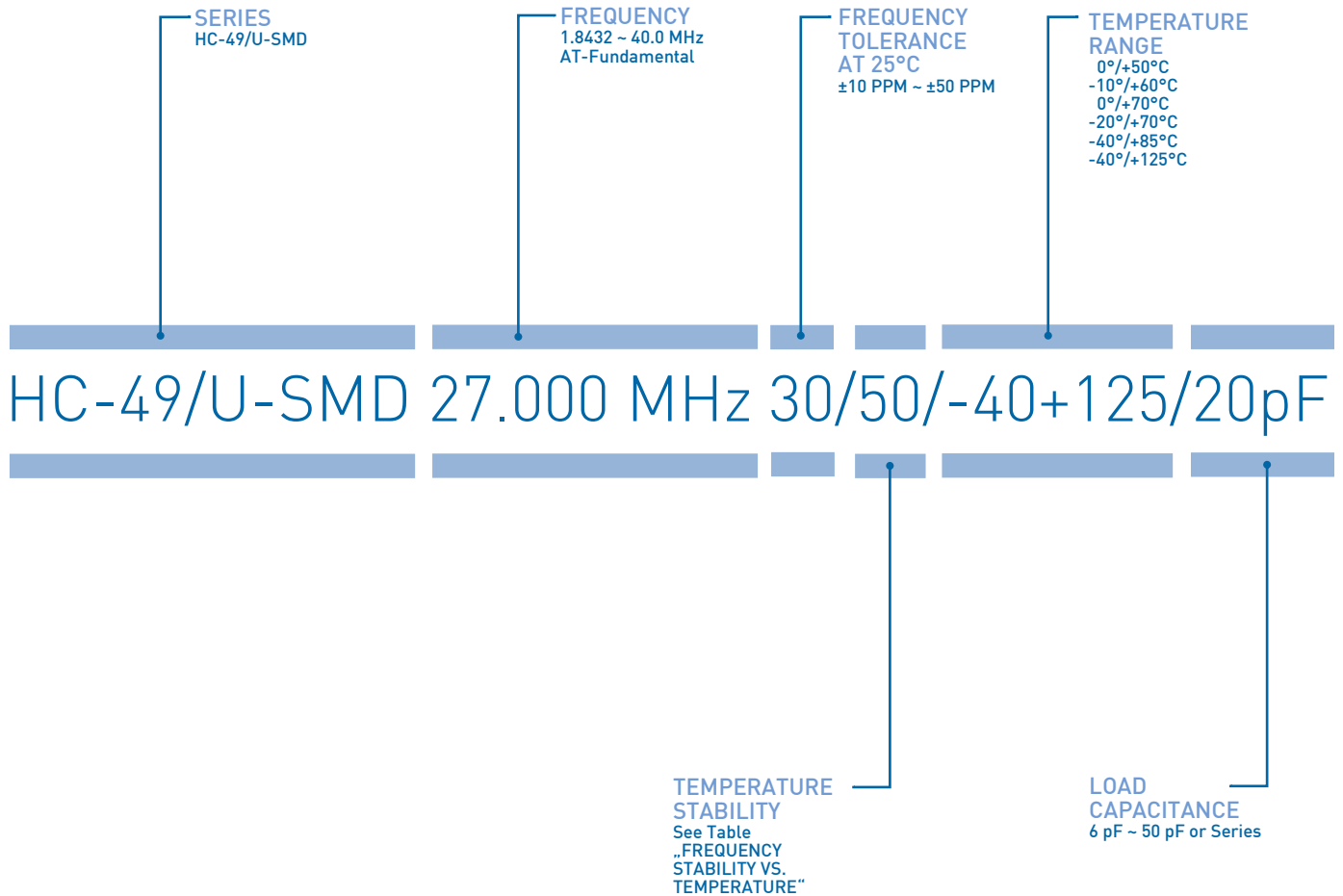
## REEL SPECIFICATION



SYMBOL	W	P	B <sub>0</sub>	K <sub>0</sub>	PS	W
PARAMETER	24.00	16.00	19.00	6.00	4.00	11.50
TOLERANCE	± 0.3	± 0.1	± 0.1	± 0.3	± 0.1	± 0.1

Unit:mm

## ORDERING INFORMATION



EXAMPLE: HC-49/U-SMD 27.000 MHz 30/50/-40+125/20pF  
 PLEASE INDICATE YOUR REQUIRED PARAMETERS



## PREMIUM QUALITY BY PETERMANN-TECHNIK



OUR COMPANY IS CERTIFIED ACCORDING TO ISO 9001:2008 IN OCTOBER 2013 BY THE DMSZ CERTIFIKATION GMBH.

THIS IS FOR YOU TO ENSURE THAT THE PRINCIPLES OF QUALITY MANAGEMENT ARE FULLY IMPLEMENTED IN OUR QUALITY MANAGEMENT SYSTEM AND QUALITY CONTROL METHODS ALSO DOMINATE OUR QUALITY STANDARDS.