

SMD SPXO 3.2x2.5mm 5.0 VDC MHz

FEATURES

- High reliability for low cost
- Frequency stability to ± 20 ppm available
- Available in 1.8, 2.5, 3.3 and 5.0 VDC
- New standard for small high performance low cost crystal oscillators
- Extended temperature range -40°C to $+105^{\circ}\text{C}$

Pb-free
 RoHS-2 2011/65/EU
 compliant

GENERAL DATA

SMD-OSCILLATOR SERIES		SXO-03025	
PACKAGE		Ceramic package 3.2 x 2.5 x 1.2 mm ³	
FREQUENCY		1.250 ~ 60.0 MHz	
FREQUENCY STABILITY		$-10/+60^{\circ}\text{C} \sim -20/+70^{\circ}\text{C}$	$\pm 20 \sim \pm 100$ ppm
		$-40/+85^{\circ}\text{C}$	$\pm 25 \sim \pm 100$ ppm
		$-40/+105^{\circ}\text{C}$	$\pm 50 \sim \pm 100$ ppm
		The frequency stability contains the frequency tolerance at 25°C, the temperature stability, supply voltage change and load change. The aging is ± 3 ppm max. per year.	
OPERATING TEMPERATURE RANGE		$-10/+60^{\circ}\text{C} \sim -40/+105^{\circ}\text{C}$	
STORAGE TEMPERATURE RANGE		$-55/+125^{\circ}\text{C}$	
INPUT	VOLTAGE	$+5.0$ VDC $\pm 10\%$ VDC	
	CURRENT	12 mA max. (no load)	
OUPUT	SYMMETRY	STANDARD	40/60% (CL 15 pF - $\frac{1}{2}$ VDD)
		OPTION	45/55% (CL 15 pF - $\frac{1}{2}$ VDD)
	RISE AND FALL TIME	5 ns max. (CL 15 pF 10% ~ 90%)	
	"0" LEVEL	CMOS	10% VDD max.
	"1" LEVEL		90% VDD min.
LOAD	CMOS	30pF max.	
PIN1	STANDARD	WITHOUT ENABLE / DISABLE FUNCTION	
	OPTION	WITH ENABLE / DISABLE FUNCTION	
ENABLE / DISABLE FUNCTION		PIN #1 (E/D CONTROL)	PIN #3 (OUPUT)
		OPEN	ACTIVE
		HIGH "1" (VIH $>70\%$ VDC)	ACTIVE
		LOW "0" (VIL $<30\%$ VDC)	HIGH IMPEDANCE
		OUTPUT DISABLE TIME	150 ns max.
		OUTPUT ENABLE TIME	10 ms max.
DELIVERY FORM		Tape & Reel / 1.000 pcs. per reel, lower QTY possible	
OTHER PARAMETERS ARE AVAILABLE ON REQUEST / CREATE HERE YOUR SPECIFICATION			

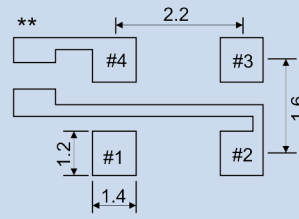
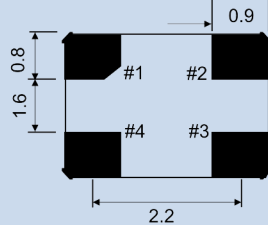
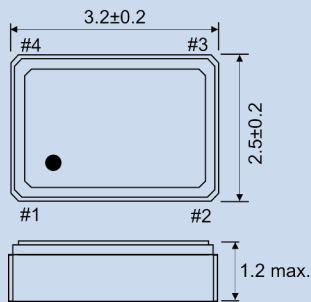
CRYSTALS
OSCILLATORS
CERAMIC RESONATORS



PREMIUM QUALITY BY
PETERMANN-TECHNIK

CERAMIC FILTERS
SAW COMPONENTS

OUTLINE DRAWING

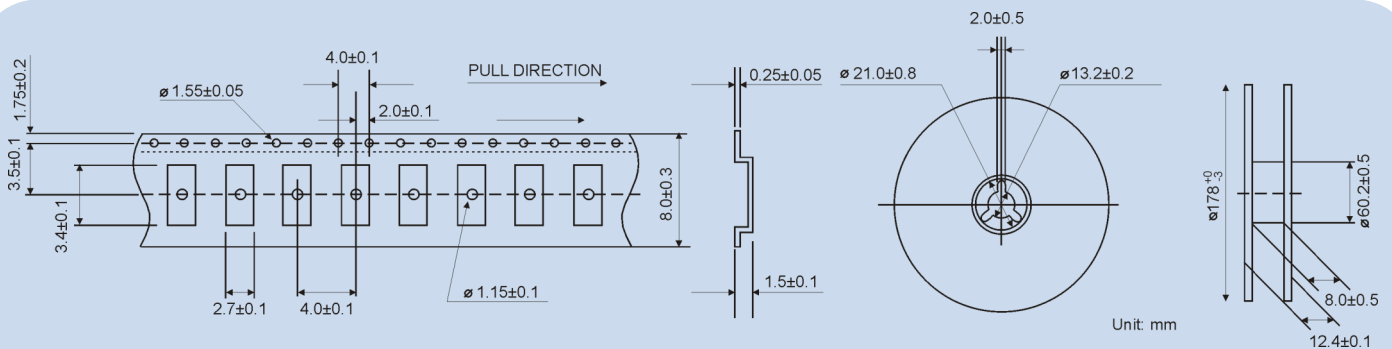


PIN	CONNECTION
#1	N.C. or ENABLE/DISABLE
#2	GROUND
#3	OUTPUT
#4	VDD

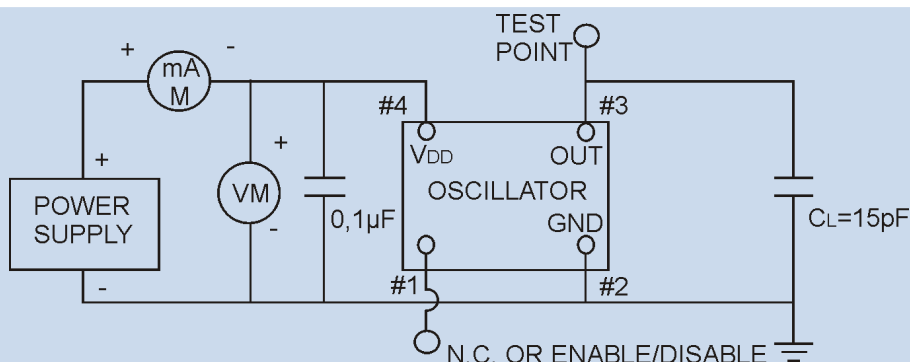
Unit:mm

**A capacitor of value 0.01µF or greater between VDD and Ground is recommended

REEL SPECIFICATION



TEST CIRCUIT CMOS



NOTE: CL includes probe and fixture capacitance

CRYSTALS
OSCILLATORS
CERAMIC RESONATORS



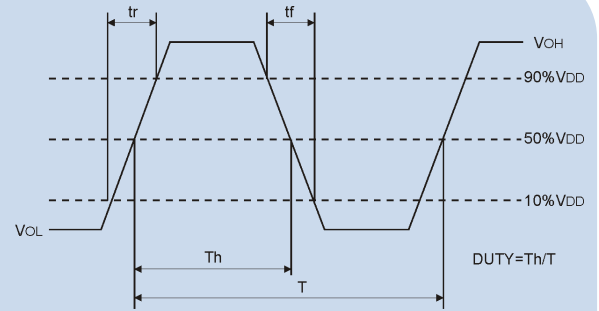
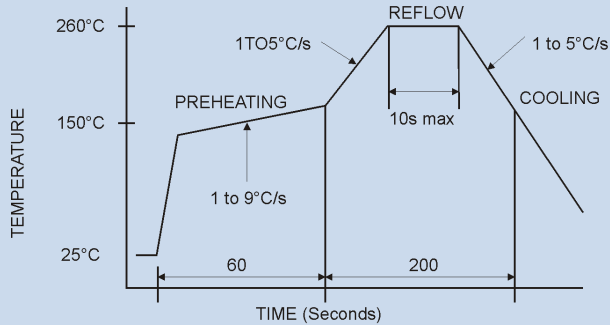
PREMIUM QUALITY BY
PETERMANN-TECHNIK

CERAMIC FILTERS
SAW COMPONENTS

Spec.01 • REV.00 • August 2014

REFLOW SOLDER PROFILE

OUTPUT WAVE FORM CMOS



ORDERING INFORMATION

Series & Voltage	Symmetry	PIN1	Frequency Stability	Temperature Range Options	Frequency	Delivery Form
SXO-03025	B*=40/60% or S=45/55%	B*= NO E/D or E = E/D	B*= 100ppm or O=20~50ppm	B*= 0+70°C N=-10+60°C M=-20+70°C W=-40+85°C Y=-40+105°C	27.000 MHz	T

Example: SXO-03025-S-E-50-W-27.000MHz-T
 PLEASE INDICATE YOUR REQUIRED PARAMETERS

*B=BLANK, S=SPECIAL, E=ENABLE/DISABLE, O=OPTION, T=TAPE AND REEL

CRYSTALS
OSCILLATORS
CERAMIC RESONATORS



PREMIUM QUALITY BY
PETERMANN-TECHNIK

CERAMIC FILTERS
SAW COMPONENTS

Spec.01 • REV.00 • August 2014